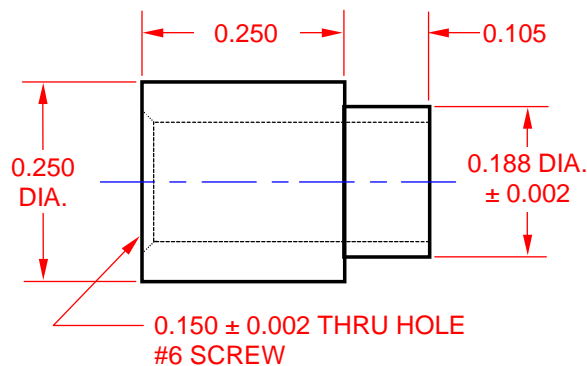




Standoffs

RO Part Number	9878LF
Manufacturer	Lyntron
Manuf. Part #	BR6310B-0.250-43
Material	Brass
Finish	Electro Tin (Bright) MIL-T-10727 C, Type 1
Above Board Ht.	1/4 in
Board Thickness	1/16 in
PCB Hole Size	0.194 ± 0.005
Swage Tool Part #	Punch: 188 Anvil: 250-2



RO Part Number	9528LF
Manufacturer	Lyntron
Manuf. Part #	BR6315-B-0.125-43
Material	Brass
Finish	Electro Tin (Bright) MIL-T-10727 C, Type 1
Above Board Ht.	1/8 in
Board Thickness	1/16 in
PCB Hole Size	0.153 ± 0.005
Swage Tool Part #	Punch: 145 Anvil: 187-1

